



Production of pyrolysis oil from municipal wastes

MICHEL, Jean-Bernard¹, HU Jin², SAUTY Sébastien², SONG, Jean-Christophe²

¹ Humana Sàrl, Fribourg, Switzerland, jbm@humana.ch

² Greenlina S.A, Avenches, Switzerland, jc.song@greenlina.com



Electromagnetic induction pyrolysis demonstration system



Commercial 2 tons batch system

Demonstration with household wastes from Zermatt

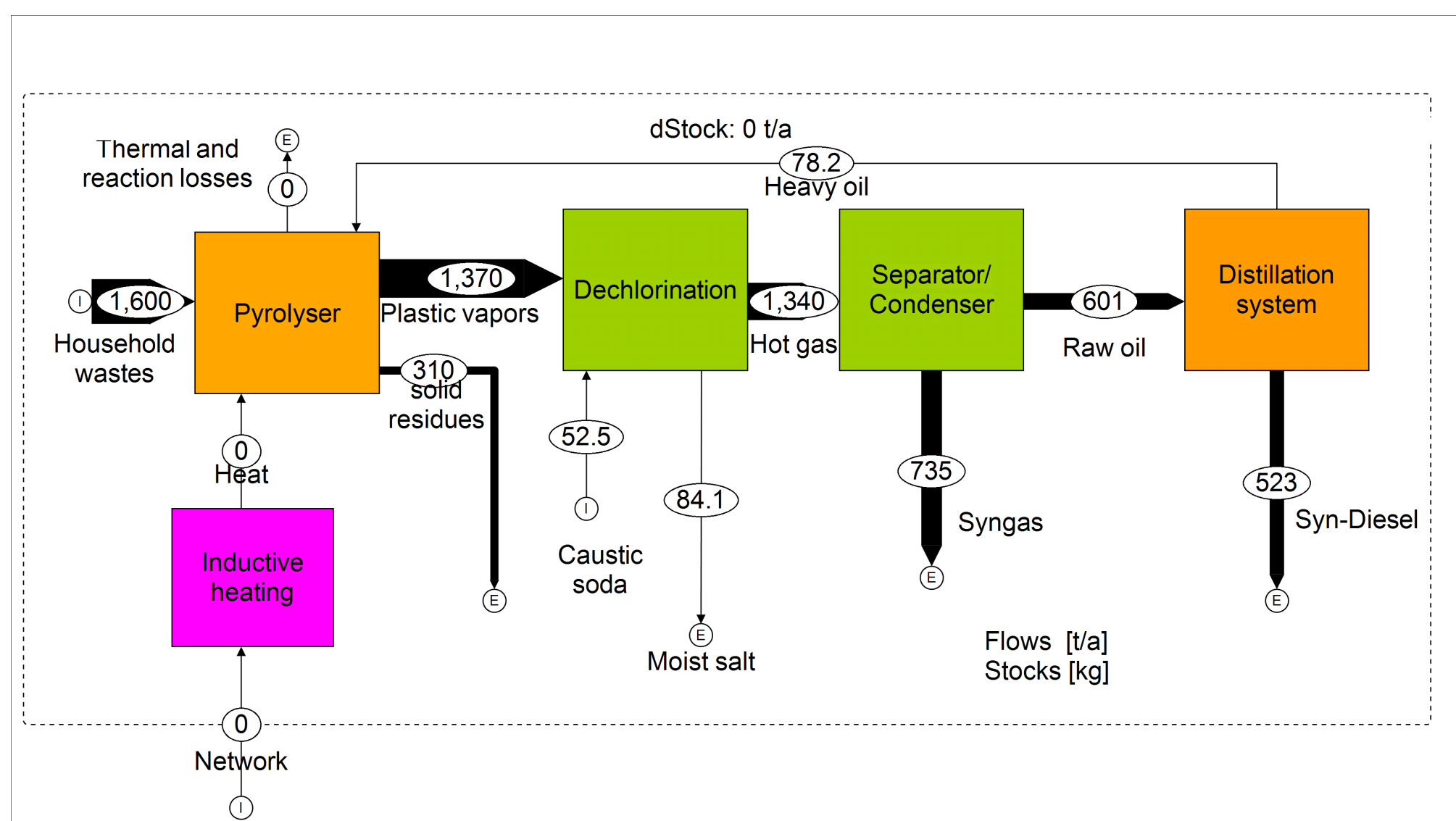


pyrolysis oil: 37.8%

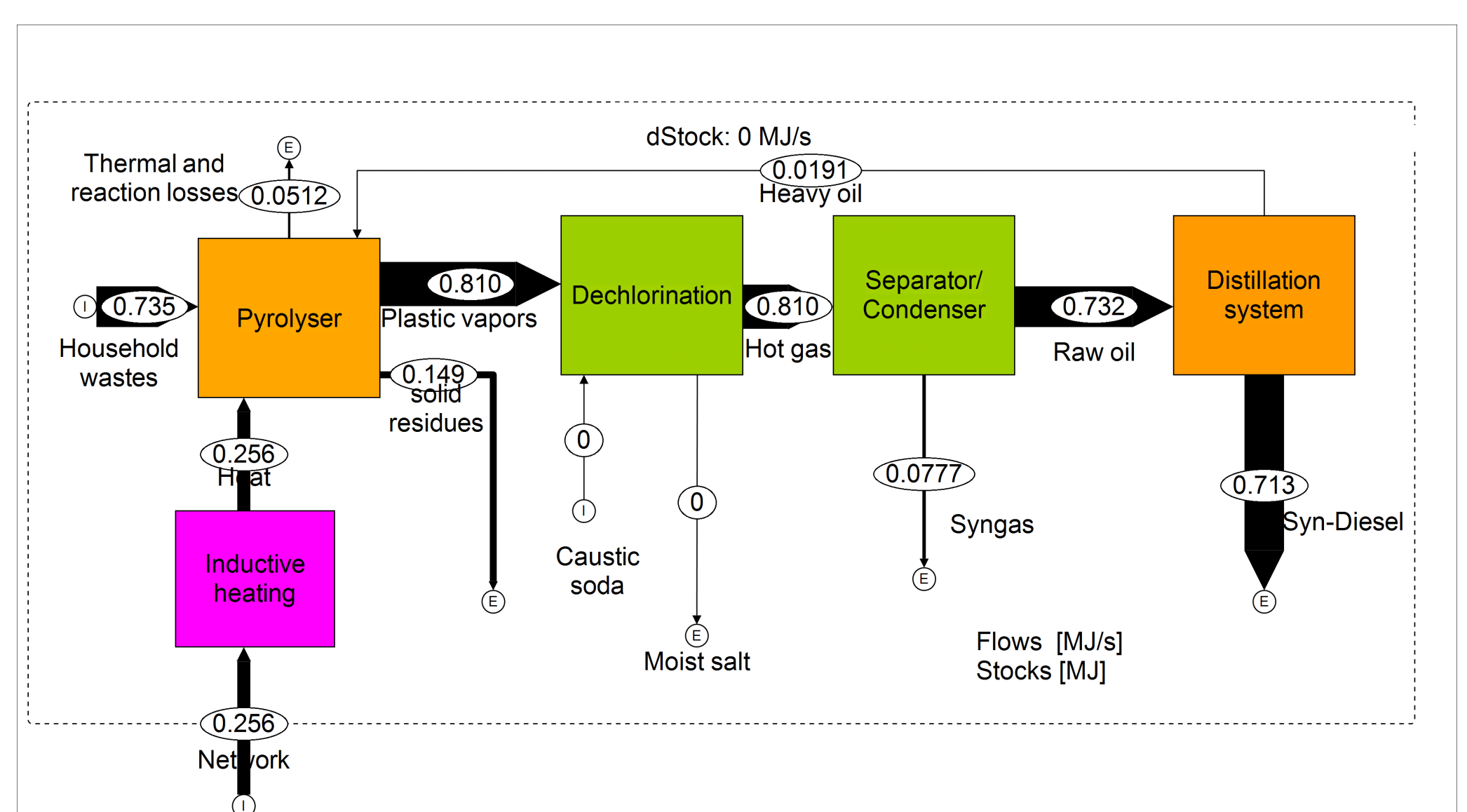
Solid residues: 18.5%

Water: 8.1%

Non-condensed gases (by difference): 35.6%



Expected mass balance for a 1600 t/a plant



Corresponding energy balance